

nRF24LE1
2.4GHz

Nordic
51 Flask

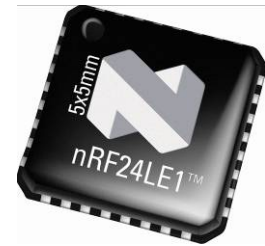
2.4GHz

Flash

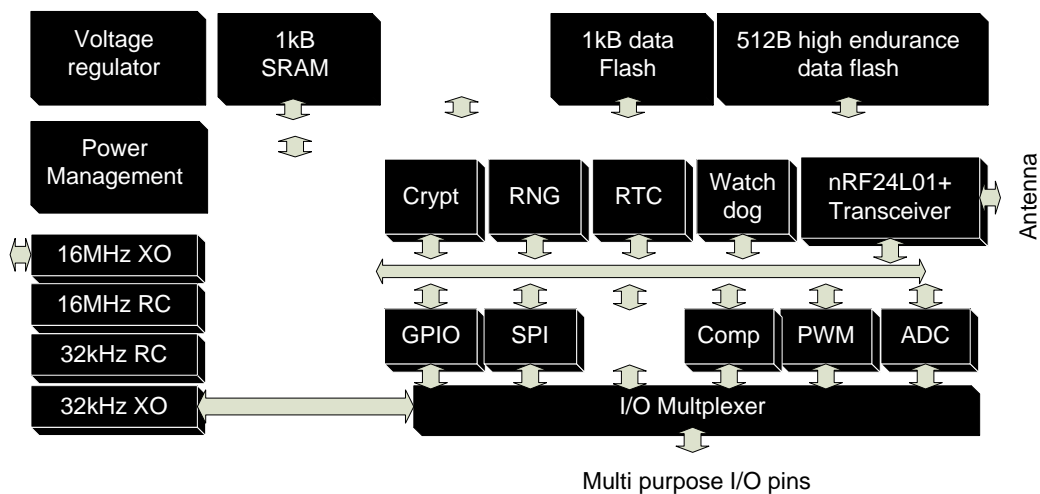
nRF24LE1 = 2.4GHz + Flash 51+ ADC + DAC + I2C + PWM + UART + SPI..

-
-
-

RFID



- 2.4GHz nRF24L01P 250 kbps 1 Mbps 2 Mbps
- 51 12 51 16 kbytes Flash, 1 kbyte data RAM, 1 kbyte NV data RAM
- 128 bit AES



nRF24LE1

Variant code	nRF24LE1-F16Q24	nRF24LE1-F16Q32	nRF24LE1-F16Q48
Pin assignment			
Package	4x4mm 24-pin QFN	5x5mm 32-pin QFN	7x7mm 48-pin QFN
Generic I/O pin	7	15	29
Features	Ultra compact Low I/O count	Compact Medium I/O count	High I/O count

1. nRFGo Development Kit

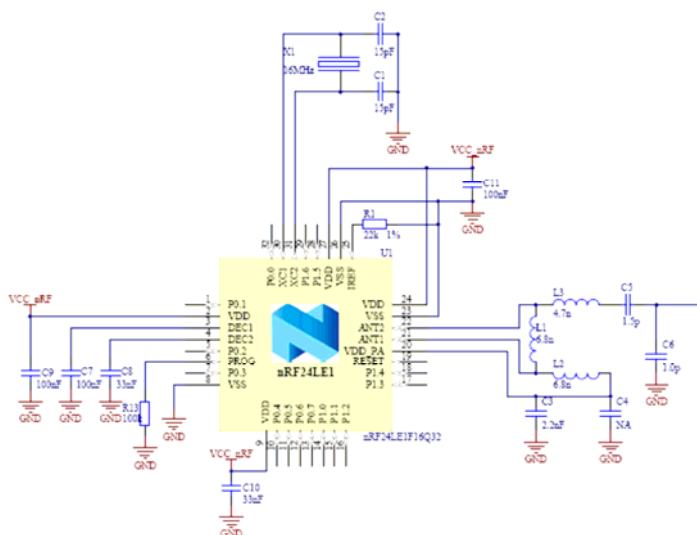
- a. nRF24LE1-F16Q24-DK
- b. nRF24LE1-F16Q32-DK
- c. nRF24LE1-F16Q48-DK



2. nRFGo Starter Kit Development Kit nRF6700

Keil C

nRFGo Development Kit
nRF24LE1



2.4GHz

	nRF24LE1™	nRF24LU1™	nRF24L01+™	nRF24L01™(1)
Transceiver	nRF24L01+	nRF24L01	nRF24L01+	nRF24L01
Air data rate(s)	2 M, 1 Mbps 250kbps	2 M, 1 Mbps ,250kbps	2 M, 1 Mbps,250kbps	2 M and 1 Mbps
Hardware link	Enhanced ShockBurst	Enhanced ShockBurst	Enhanced ShockBurst	Enhanced ShockBurst
Digital I/O	SPI (M/S), 2-wire (M/S), UART, GPIO	SPI (M/S), UART, GPIO	SPI (S)	SPI
Microcontroller	Enhanced 8051	Enhanced 8051	N/A	N/A
USB	N/A	Full-speed 2.0 compliant	N/A	N/A
Analog I/O	ADC, comparator, PWM	N/A	N/A	
Program	16kB Flash	16kB Flash	N/A	N/A
RAM	1kB SRAM + 256B IRAM	2kB SRAM + 256B IRAM	N/A	N/A
NVM Data	1kB + 512B high	Shared with program	N/A	N/A
Oscillators	16 MHz XO and RC 32kHz XO and RC	16MHz XO	N/A	N/A
Supply voltage	1.9 – 3.6V	4.0 – 5.25V	1.9 – 3.6V	1.9 – 3.6V
Link security	HW acc. AES	HW AES	N/A	N/A
HW Debug	nRFProbe	System Navigator FS2	N/A	N/A
Package	24-pin 4x4mm, 32-pin 5x5mm, 48-pin 7x7mm	32-pin 5x5mm QFN	20-pin 4x4mm QFN	20-pin 4x4mm QFN